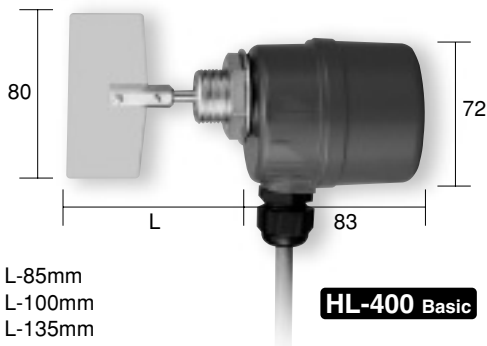


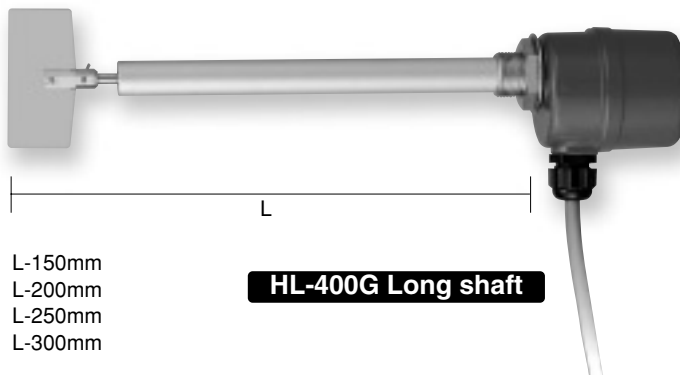
SUPER COMPACT PADDLE TYPE LEVEL SWITCH

Compact type HL-400 series



L-85mm
L-100mm
L-135mm

HL-400 Basic



L-150mm
L-200mm
L-250mm
L-300mm

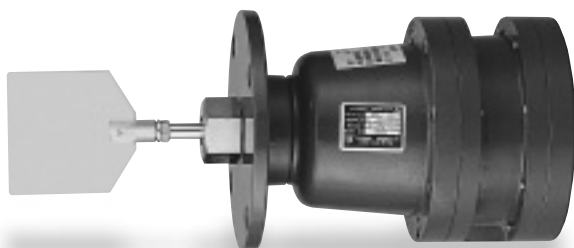
HL-400G Long shaft

Supply voltage	AC100/110V 50/60Hz AC200/220V 50/60Hz Manufactured based on your preferred voltage.
Mount	Screw-in PF 3/4"
Power consumption	1.5W
Contact output	1C contact 250V AC6A(resistance load)
Detection torque	Approx 4.9N·cm
Slip torque	Approx 24.5~29.4N·cm
Revolutions perminute	1R.P.M
Material	Case and flange Aluminum alloy Shaft and paddle SUS-304 Seal Nitrlle rubber
Temperature ranges	Tank inside Max60°C Tank outside Max55°C
Max.pressure	Tank inside 0~196kPa
Painted color	Munsell 7.5BG 4/1.5
Lead wire	VCT0.75 sq with 5-core 500mm

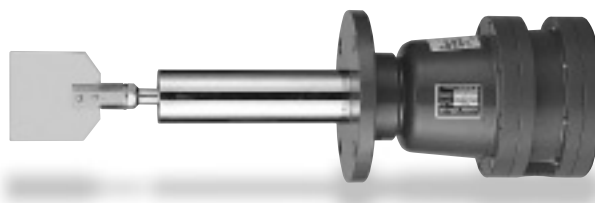
HL-400 ※Models followed by -3P or -4P comply with special specifications.
Be sure to inform us of your specific serial No. indicated on the main unit.

None	Basic specifications
N	The paddle and shaft can be separated from the main unit.
H	Heat-proof specifications Max 100°C
HH	Heat-proof specifications Max 150°C
S	Powder contact area SUS-304 specifications
G	Specifications with protective tubing (in increments of 50 mm for L-150 - 300)
GS	Specifications with protective tubing (in increments of 50 mm for L-150 - 300), powder contact area SUS-304 specifications
HS	Heat-proof specifications Max 150°C, powder contact area SUS-304 specifications (same as for HHS)
HG	Heat-proof specifications Max 100°C, specifications with protective tubing (in increments of 50 mm for L-150 - 300)
HHG	Heat-proof specifications Max 150°C, specifications with protective tubing (in increments of 50 mm for L-150 - 300)
HGS	Heat-proof specifications Max 150°C, specifications with protective tubing (in increments of 50 mm for L-150 - 300), powder contact area SUS-304 specifications (same as for HHGS)

Explosion proof version



PRL-S5



PRL-G5-25

Supply voltage	AC100/110V 50/60Hz AC200/220V 50/60Hz Manufactured based on your preferred voltage.
Mount	JIS 5K65A
Power consumption	2.5W
Contact output	1C contact 250V AC5A(resistance load)
Detection torque	Approx 9.8N·cm
Slip torque	Approx 24.5~29.4N·cm
Revolutions perminute	1R.P.M

Material	Case and flange Aluminum alloy Shaft and paddle SUS-304 Seal Nitrlle rubber
Temperature ranges	Tank inside Max70°C Tank outside Max55°C
Max.pressure	Tank inside 0~196kPa
Painted color	Munsell 7.5BG 4/1.5
Flameproof	d2G4